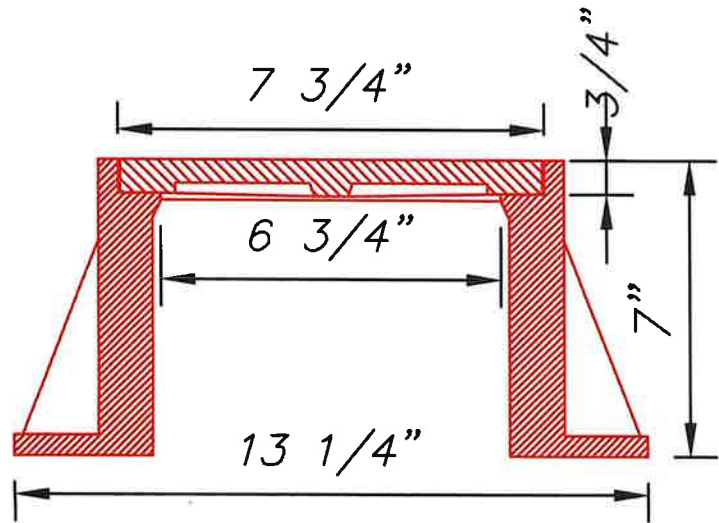
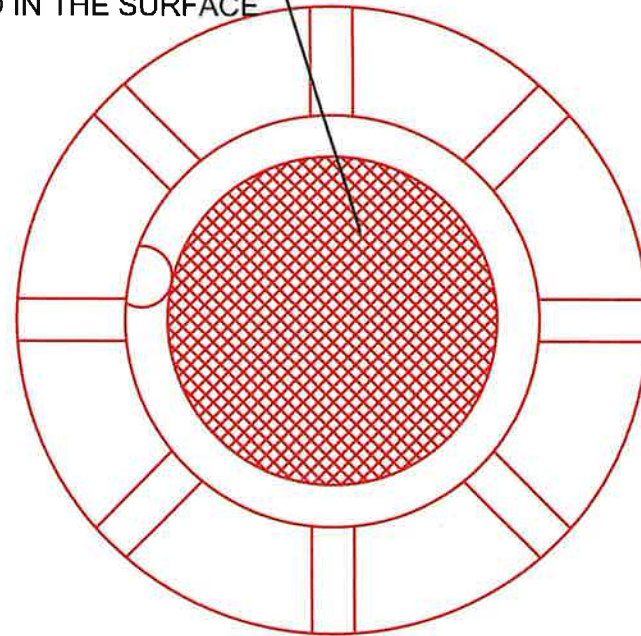
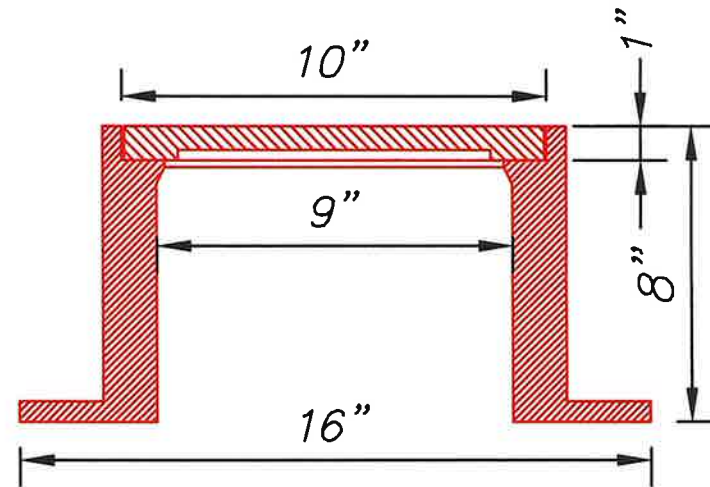


THE LID SHOULD HAVE "SEWER"
INSCRIBED IN THE SURFACE



BRIDGESTATE FOUNDRY CO. PATTERN NO. 4173
NOTE: FOR USE IN SIDEWALK AREAS ONLY



BRIDGESTATE FOUNDRY CO. PATTERN NO. 4155
NOTE: FOR USE IN DRIVEWAY APRON AREAS ONLY

SEA ISLE CITY SANITARY SEWER CLEANOUT COVER DETAILS

N.T.S.